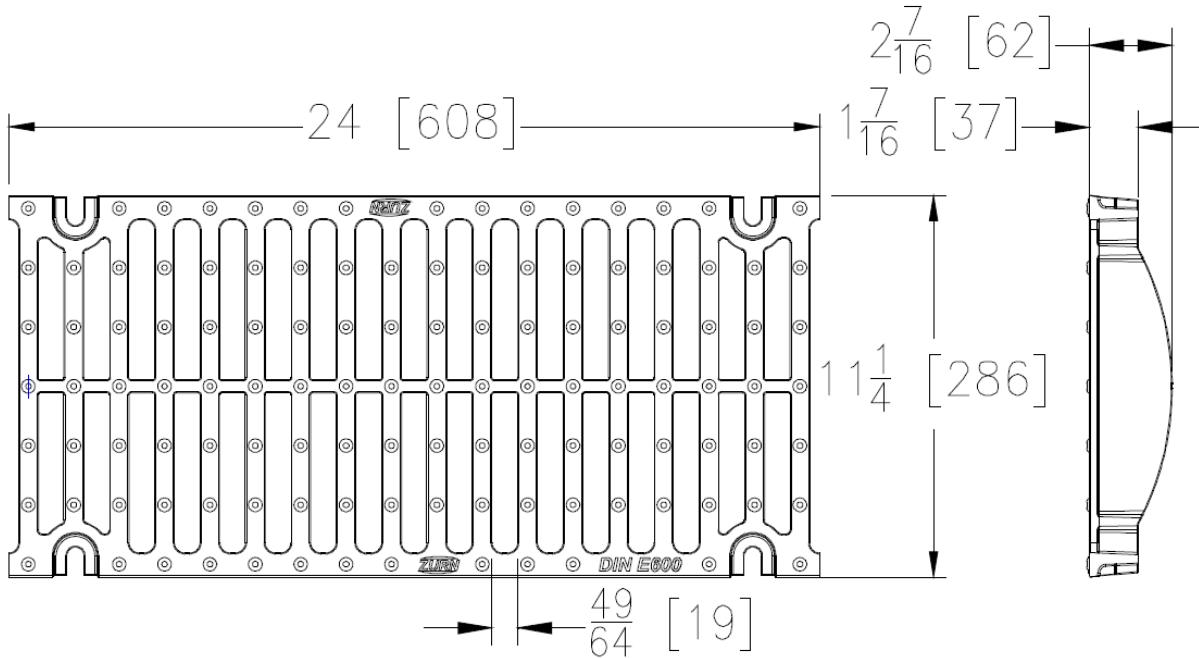


Number 84220	Series Z882-DGE-USA E Class Ductile Iron Grate P12-DGE-USA
-----------------------------------	---------------------------------------------------------------------------------------



Specification

The Zurn P12-DGE-USA Slotted Grate, Ductile Iron, is 11-1/4 inches wide by 24 inches long, weighing 19.5 lbs per linear foot. The grate has an open area of 60.3 square inches per linear foot, DIN Rating of E, ANSI Rating of Special-Duty, H-20 Load Rated, FAA Load Rated. Supplied by Trench Drain Supply.



DGE-USA - Ductile Iron Slotted	
Material:	Ductile Iron
DIN Rating:	Class E
Weight:	19.5 lb/ft.
Open Area:	60.3 in ² /ft.
ANSI Rating:	Special-Duty
Application:	Hard Wheel & Truck
Slot Width/Hole Size:	49/64"
ADA:	No
H-20:	Yes
FAA:	Yes

Manufacturer



DISCLAIMER - The customer and the customer's architects, engineers, consultants, and other professionals are completely responsible for the selection installation and maintenance of any product purchased from Trench Drain Supply and/or its manufacturers. TRENCH DRAIN SUPPLY MAKES NO WARRANTY, EXPRESS OR IMPLIED, AS TO THE SUITABILITY, DESIGN, MERCHANTABILITY, OR FITNESS OF THE PRODUCT FOR CUSTOMERS APPLICATION. The drawing and information provided remain the property and copyright of the manufacturer listed. The manufacturer reserves the right to modify specification without notice.